

Quotation

Mercedes-Benz V 300 d extra-lung EXCLUSIVE



This image might differ from your individual vehicle configuration and is therefore non-committal. Subject to alteration!

Angebotsname: V 300 d extra-lung EXCLUSIVE_Tiriac Auto - 2024_79930

Model:	Mercedes-Benz V-Class
Vehicle type:	V 300 d extra-lung EXCLUSIVE
Drivetrain:	AWD
Engine power:	174 kW (237 PS) pe partea stângă
Wheelbase:	3430 mm
Gross vehicle weight:	3100 kg
Steering type:	pe partea stângă



Mercedes-Benz

Information about fuel consumption, CO₂-emissions and energy efficiency

Fuel consumption in urban area (city centre (Low, Phase 1)):	WLTP] ⁵⁾ : 9.7 l/100km
Fuel consumption in city outskirts (Medium, Phase 2): [WLTP] ⁵⁾ :	7.7 l/100km
Fuel consumption on country road (High, Phase 3): [WLTP] ⁵⁾ :	6.5 l/100km
Fuel consumption on motorway (Extra High, Phase 4): [WLTP] ⁵⁾ :	7.5 l/100km
Fuel consumption, combined: [WLTP] ⁵⁾ :	7.5 l/100km
CO ₂ emissions, combined: [WLTP] ⁵⁾ :	197 g/km

5) in progress



Equipmentlist

Paint

	Amount in EUR
MB 7831 graphite grey metallic	--

Equipment

	Amount in EUR
Lines, packages and special models	
VQ8 EXCLUSIVE	Standard
* DUP0 Base Duplicate Code 0	Standard

Packages

CU4 Aerodynamics package	Standard
F2W Winter package	Standard
FP3 Mirror package	Standard
JB6 Parking package with 360° camera	Standard
JH0 Widescreen Cockpit	Standard
MX0 BlueEFFICIENCY package	Standard
P28 EASY PACK Package - electr. Sliding door/Tailgate	Standard
PY0 Exclusive Interior Design Package	Standard
W68 EASY-PACK tailgate	Standard

Upholstery

V4T Tartufo nappa leather	--
---------------------------	----

Trim elements

F3T Wood-look trim, open-pore	--
-------------------------------	----

Rims

R19 8 J x 19 light-alloy wheels, Monobloc design	Standard
--	----------

Tyres

RK1 Tyres 245/45 R19	Standard
RD9 Tyres without name of make	Standard
RM4 Comfort tyres	Standard
RM7 Summer tyres	Standard
RR6 Spare wheel with jack	167.00
RY2 Tyre pressure monitoring front/rear, wireless	Standard

Engines, transmission and drive system

MU8 Engine OM 654 DE 20 LA power stage 5 Top Type	Standard
G43 9G-TRONIC	Standard
ZG2 All-wheel drive, permanent	3,502.00
A50 Front axle with upgraded axle load	--
AD5A Final Drive i = 2,733	Standard
BB7 CO2-optimised braking system	Standard



BH1	HOLD function	Standard
CA4	AIRMATIC	1,953.00
CN1	Sill, exterior	Standard
XA5	Weight variant 3.200 kg	-.--
ED4	Baterie AGM 12 V 92 Ah	Standard
KP7	4th generation SCR emission control system	Standard
M3E	Suction-type fan, electric, power stage 5	Standard
M60	Alternator 14 V / 250 A	Standard
MG9	Alternatormanagement	Standard
MO5	Emissions category Euro 6e RDE5 M/N1 GR. II	Standard

Exterior

D12	Roof rails	397.00
H20	Heat-insulating glass all round	Standard
V36	Panelling under roof	Standard
W16	Window front left, fixed, in sidewall/sliding door	Standard
W17	Window front right, fixed, in sidew./sliding door	Standard
W29	Window fixed behind	Standard
W64	Separately opening rear window	Standard
W70	Shaded glass in rear, black glass	Standard
T19	Sliding door left	Standard
T55	Electrical operation of sliding door, right	Standard
T56	Electrical operation of sliding door, left	Standard
Q50	Trailer coupling ball headed removable	727.00
CM2	Bumpers/detachable body parts painted body colour	Standard
FB4	AMG spoiler lip on boot lid	Standard
FK6	Radiator grille with LED lightband	Standard
FK7	Radiator grille with horizontal slats	Standard
K51	Incorrect fuelling protection system	Standard
KB5	Main tank 70 litres	Standard
LP4	Projection of brand logo	Standard
T14	Active retainer for sliding door	Standard

Interior

SA1	Seat cushion length adjustment, driver	Standard
SA2	Seat cushion length adjustment, co-driver	Standard
SE0	Active seat ventilation for driver	578.00
SE1	Active seat ventilation for co-driver	578.00
SF1	Driver's seat electrically adjustable	Standard
SF2	Co-driver's seat electrically adjustable	Standard
U73	Armrests for passenger compartment seats	Standard
UR1	Seat rail system with quick-locking	Standard
US5	3-seater comfort bench 2nd row w. folding outer seat	-.--
US6	Individual seat, 1st row left	Standard
US7	Individual seat, 1st row right	Standard
UT3	Longer seat rail, rear seats	254.00
H00	Hot-air duct to passenger compartment	Standard
H05	Climatised rear seats	1,224.00
H15	Seat heating for co-driver	Standard



H16	Heated seat for driver	Standard
HH4	THERMOTRONIC automatic climate control	Standard
HZ0	Electrical auxiliary heating	Standard
HZ7	Air con., semi-autom., TEMPOMATIC in rear	Standard
VZ0	Anchoring lugs for seat rails, removable	Standard
F66	Locking glove compartment	Standard
FG0	Centre console with sliding cover	Standard
FG9	Detachable cup holders in rear armrests	Standard
SC0	Omission of table and trim on backrest	-683.00
SZ7	Stowage net on driver's seat backrest	-.--
SZ8	Stowage net on co-driver's seat backrest	-.--
V62	Stowage nets on individual seat backrests in rear	Standard
YE2	Folding table	587.00
C74	Mercedes-Benz lettering at entrance, illuminated	Standard
CL1	Height and rake adjustable steering wheel	Standard
CL3	Leather steering wheel	Standard
F84	Digital rear-view mirror	Standard
FH6	Dashboard in leather look with stitching	Standard
JP1	PRE-SAFE	Standard
LC4	Comfort overhead control panel	Standard
LE3	Ambience lighting 64 colours cockpit + rear	Standard
SE4	Lumbar support, co-driver's seat	Standard
SE5	Lumbar support, driver's seat	Standard
T74	Handle for entrance	Standard
V33	Carpet in the rear	Standard
V44	Carpet in interior at front	Standard
VD7	Roof liner black	Standard
VH1	Grab handles in rear	Standard
VL2	Velour floor mats	51.00

Infotainment

E7M	MBUX multimedia system	Standard
502	Intelligent Speed Assistant updates	Standard
E1D	Digital radio (DAB)	Standard
E1E	Navigation	Standard
E1T	Touchpad	Standard
E4S	Smartphone Integration package	Standard
E65	Burmester surround sound system	Standard
EW6	Pre-installation: Remote Services Plus	Standard

Connectivity Solutions

EY2	Pre-installation: Live Traffic Information	Standard
EY5	Mercedes-Benz emergency call system	Standard
EY6	Breakdown management	Standard
JH3	Communication module (LTE) for digital services	Standard

Safety and technology

553	Trailer Manoeuvring Assist	-.--
B25	Electrical parking brake	Standard
BA3	Active Brake Assist	Standard



Mercedes-Benz

BS1	Brake calipers with Mercedes-Benz lettering	Standard
ET4	Active Distance Assist DISTRONIC	Standard
F3Z	Convenience closing	Standard
F48	Heated windscreen washer system	Standard
F65	Exterior mirror, automatically folding	Standard
F69	Ext. mirrors, heated, elec. adj. w. integr. indic.	Standard
FA6	Chrome insert in side skirt	Standard
FS5	Illuminated vanity mirrors for sun visors	Standard
J55	Seat belt reminder for co-driver seat	Standard
JA7	Blind Spot Assist	Standard
JA9	Traffic Sign Assist	Standard
JB4	Active Lane Keeping Assist	Standard
JW8	ATTENTION ASSIST	Standard
L45	MULTIBEAM LED with Highbeam Assist PLUS	Standard
LA2	Headlight assistant	Standard
LC5	Ambient lighting in exterior mirrors	Standard
LC6	Illumin. in rear grab handle with reading light	Standard
LC7	Lighting for footwell, front	Standard
LC8	Ambient lighting, liftgate	Standard
LE1	Adaptive brake light	Standard
LE6	Night lighting, rear	Standard
LG4	LED tail lamps, brake lamps and indicators	Standard
SA3	centre airbag	Standard
SA6	Airbag, co-driver	Standard
SH1	Thorax-pelvis sidebag, driver	Standard
SH2	Thorax-pelvis sidebag, co-driver	Standard
SH8	Windowbags, A-D pillar	Standard
SK5	Automatic co-driver airbag deactivation	Standard
SK6	Child detection in vehicle, passive	Standard
T70	Child safety locks in passenger compartment doors	Standard
Y10	First aid kit	49.00
Y44	Warning triangle	41.00
C6L	Multifunction steering wheel	Standard
CK8	Steering wheel heating	Standard
E07	Hill-Start Assist	Standard
E10	Wireless charging system for mobile devices	Standard
ES2	12 V plug socket in trunk / load compartment	Standard
ES3	12 V outlets for rear seat row, right and left	Standard
M50	174 kW (237 hp)	Standard
M72	Vehicle HVO-capable	Standard
MJ8	ECO start/stop function	Standard
YF3	Sports pedals	Standard

Control code

805	CY X4/1	Standard
XM7	Facelift II	Standard
* XX4	Change year G4-II	Standard
IG5	Basic	Standard
JX2	Service interval 40.000 km	Standard
XW9	Control code, changeover WLTP	Standard



Mercedes-Benz

Z01	Steuercode Zertifizierung II	Standard
XC9	COC papers	Standard
XM0	Facelift	Standard
XQ1	VIN encoded vehicle data with check digit	Standard
XS3	Plates / booklets Romanian	Standard
XZ2	Model generation 2	Standard
Z42	Registration as a passenger car	Standard
055	CY X4/2	Standard
XY5	Model year 5	Standard

The BZM regulations are valid for this vehicle

To use the Mercedes me connect services, you must register on the Mercedes me Portal and also accept the Terms of Use for the Mercedes me connect services. In addition, the relevant vehicle must be paired with the user account. Upon expiry of the initial term, the services can be renewed for a fee. Initial activation of the services is possible within 1 year of first registration or commissioning by the customer, whichever occurs first.

Please note that the scopes may vary according to model series and year of construction or between private and business customer accounts.

Vehicle prices

	Amount in EUR
Baseprice vehicle:	76,648.00
Price paint:	-.--
Price special equipment:	9,425.00
Price additional equipment:	-.--
<hr/>	
Vehicle price net (ex factory)	86,073.00



Mercedes-Benz

Technical data

Dimensions and weights

Type	
Drivetrain	AWD
Wheelbase	3430 mm

Weights	
<u>Chassis-/Kerb weight:</u>	
Front axle (empty)	1369 kg
Rear axle (empty)	1098 kg
Kerb weight (incl. SA)	2467 kg
<u>Maximum permissible weight:</u>	
Front axle	1550 kg
Rear axle	1550 kg
<u>Payload:</u>	633 kg
<u>Gross vehicle weight</u>	3100 kg
<u>Gross combination weight</u>	5200 kg

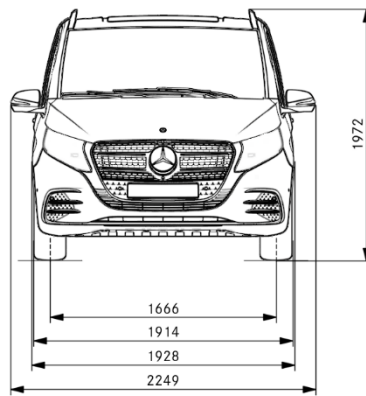
Kerb weights with driver (75kg) and 90% of tankful.

Engine		MU8
Displacement cm ³		1950
Engine output kW / HP		174 / 237
Power/engine torque in NM at		500 Nm bei 2400 U/min

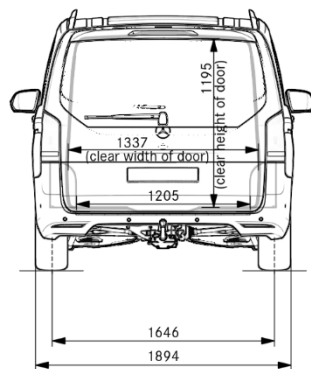
Gearbox	
Code	G43
Short text	Cutie de viteze automata 9G-TRONIC

Technical Data

Technical illustration



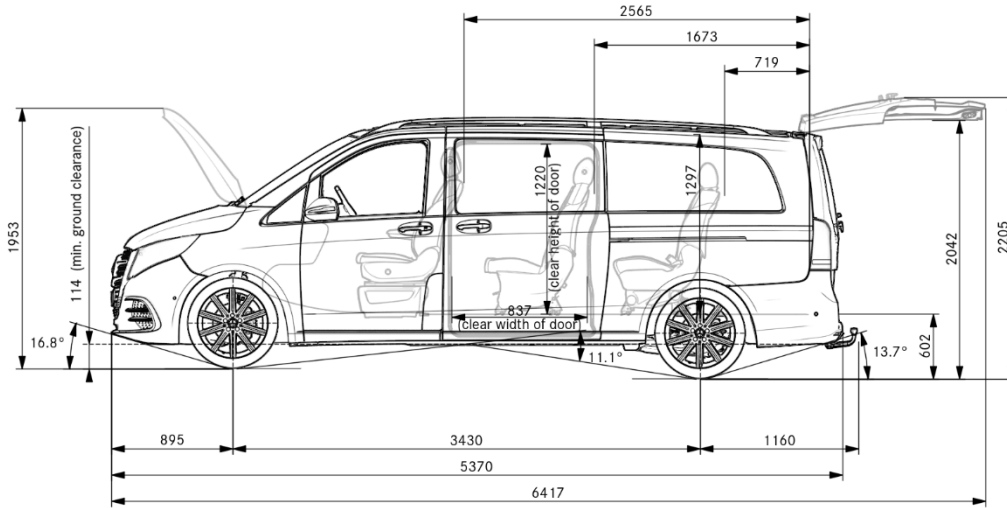
Dimensions are subject to a tolerance of +/- 3 %



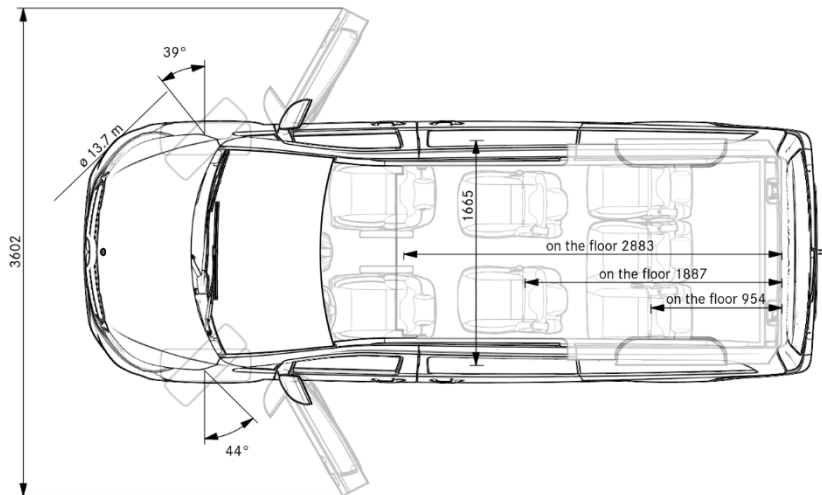
Dimensions are subject to a tolerance of +/- 3 %



Mercedes-Benz



Dimensions are subject to a tolerance of +/- 3 %



Dimensions are subject to a tolerance of +/- 3 %